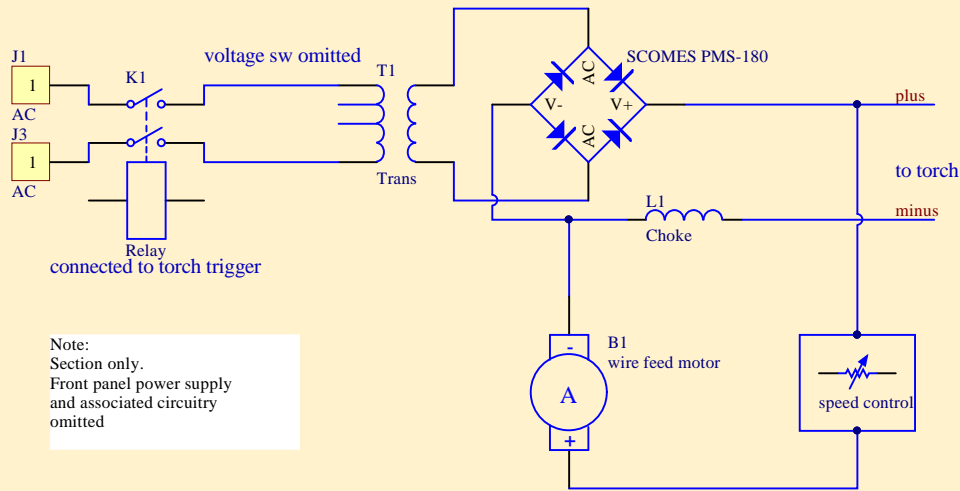
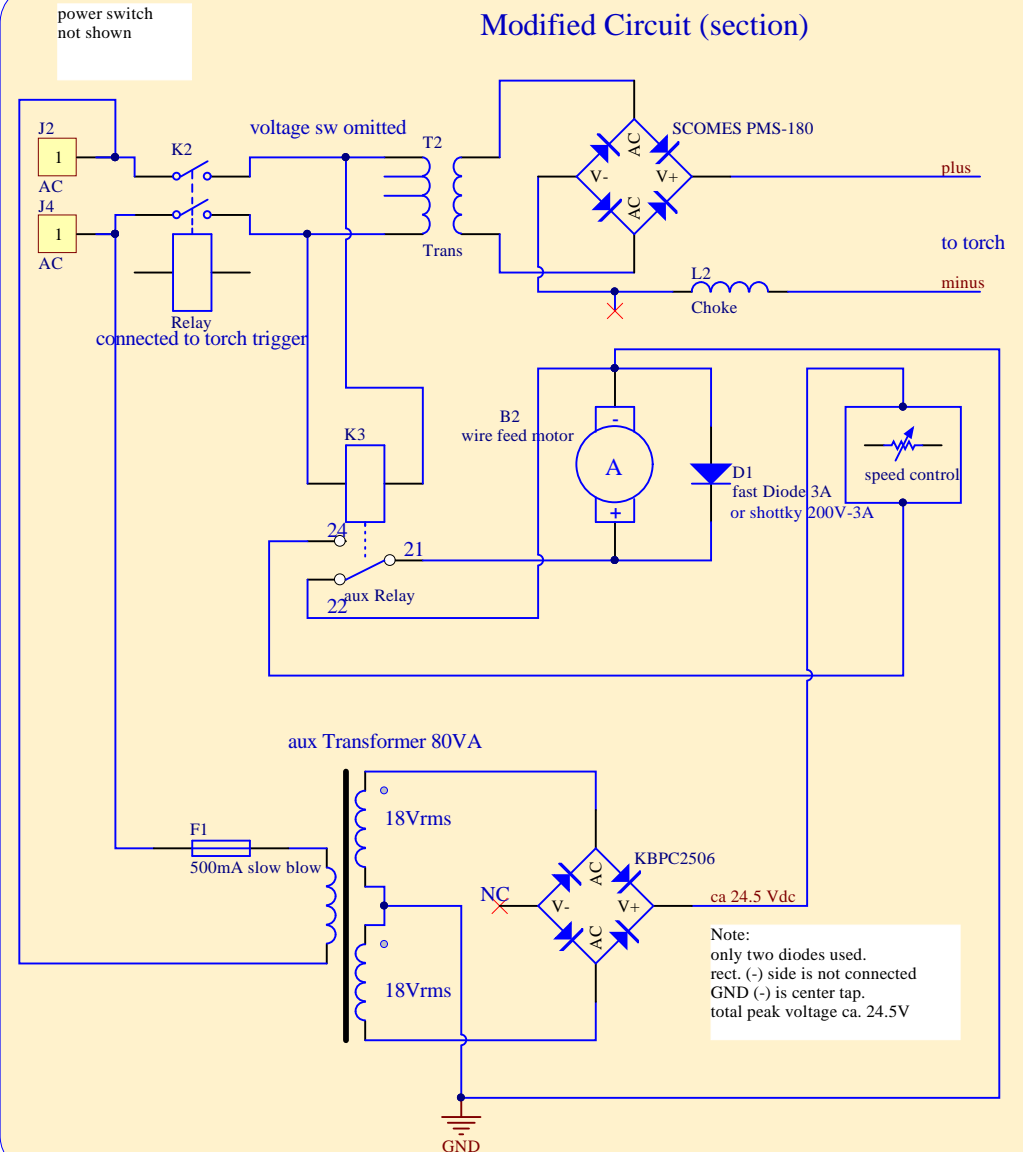


Original Circuit (section)

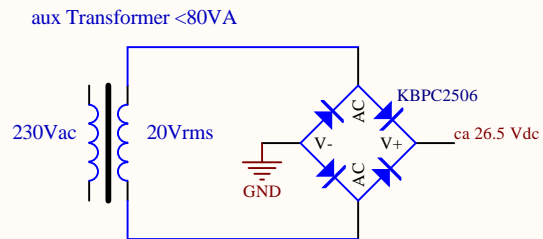


Note:
Section only.
Front panel power supply
and associated circuitry
omitted

Modified Circuit (section)

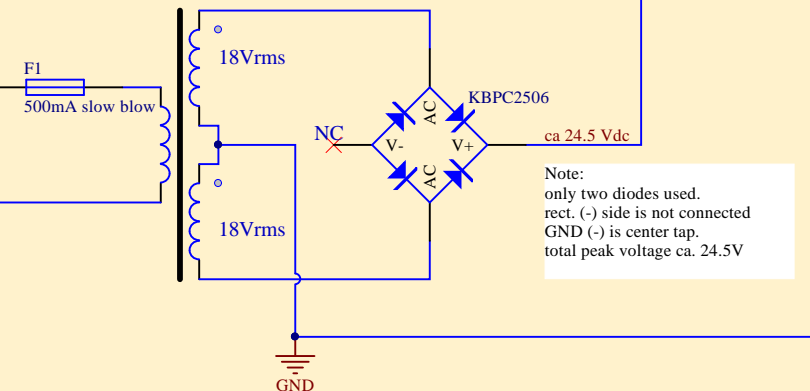


Alternate (ideal) aux supply



Note:
all four diodes used.
GND (-) side is rect. (-)
total peak voltage ca. 26.5V

aux Transformer 80VA



Note:
only two diodes used.
rect. (-) side is not connected
GND (-) is center tap.
total peak voltage ca. 24.5V

Permission refused for serving / posting
this file from any site other than
<http://tech.aquataur.guru>

Title: MIG/MAG Welder wire feed motor supply mod

Size A4	Number stable (raw) DC supply independent of welder power setting	Revision 1.0
Date: 10.10.2021	Sheet of 1/1	Drawn By: HG
File: D:\projekte\...dc motor versorgung.SchDoc		