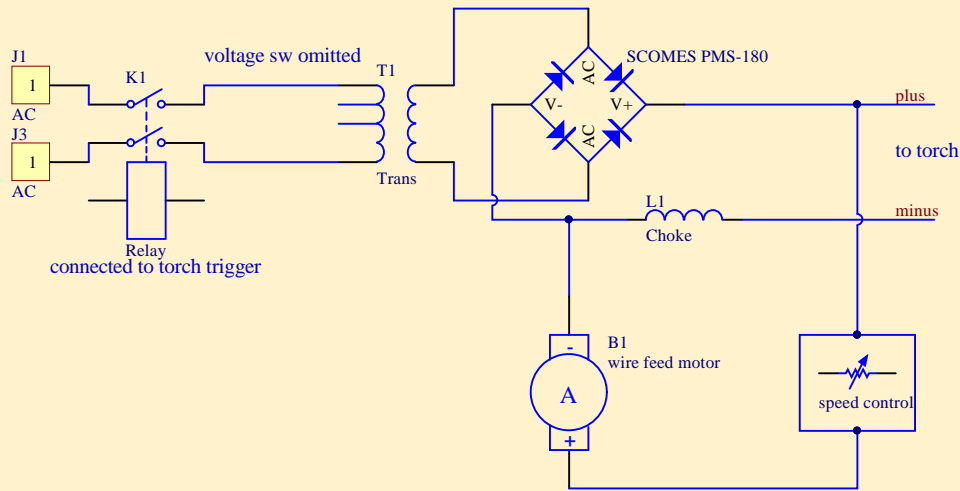
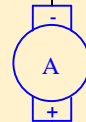


Original Circuit (section)

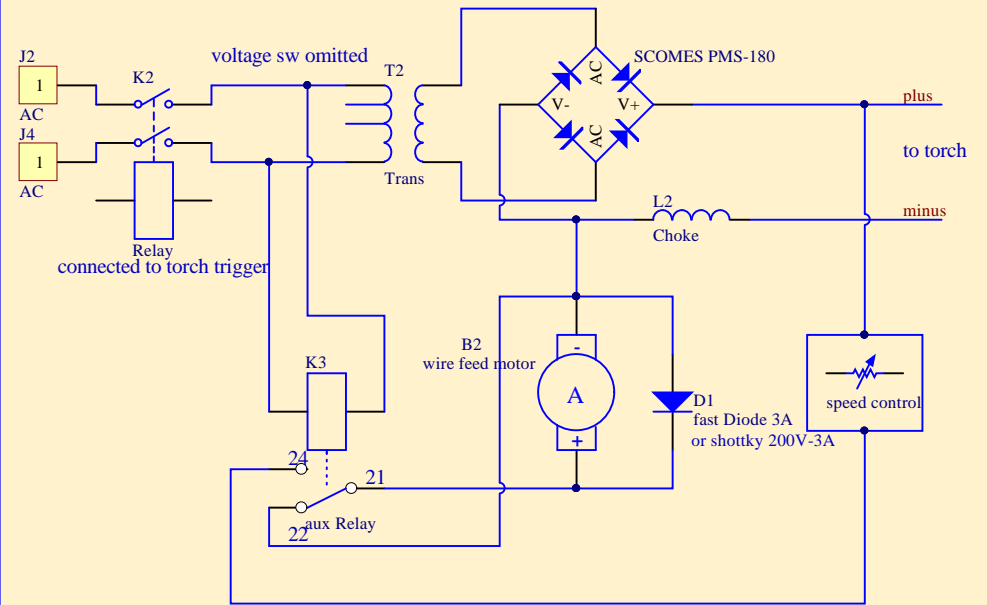


original motor return line

original motor variable positive supply

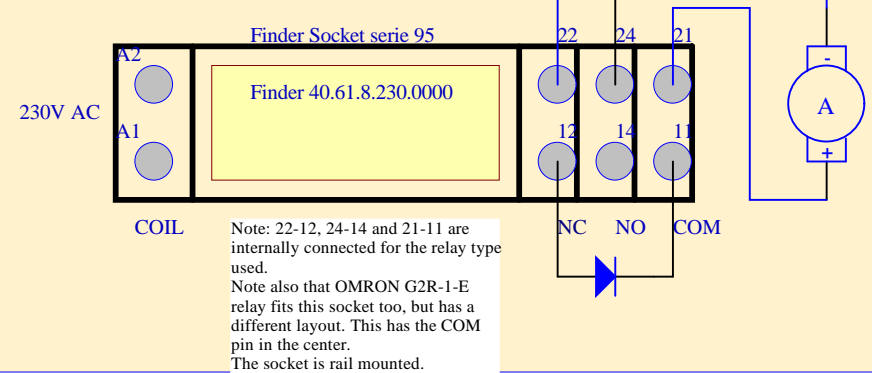


Modified Circuit (section)



original motor variable positive supply

original motor return line



Note: 22-12, 24-14 and 21-11 are internally connected for the relay type used.
 Note also that OMRON G2R-1-E relay fits this socket too, but has a different layout. This has the COM pin in the center.
 The socket is rail mounted.

Permission refused for serving / posting this file from any site other than <http://tech.aquataur.guru>

Title **MIG/MAG Welder wire feed motor braking mod**

Size A4	Number after torch trigger release	Revision 1.1
Date: 19.10.2021	Sheet of 1/1	
File: D:\projekte\...hilfsrelais.SchDoc	Drawn By: HG	